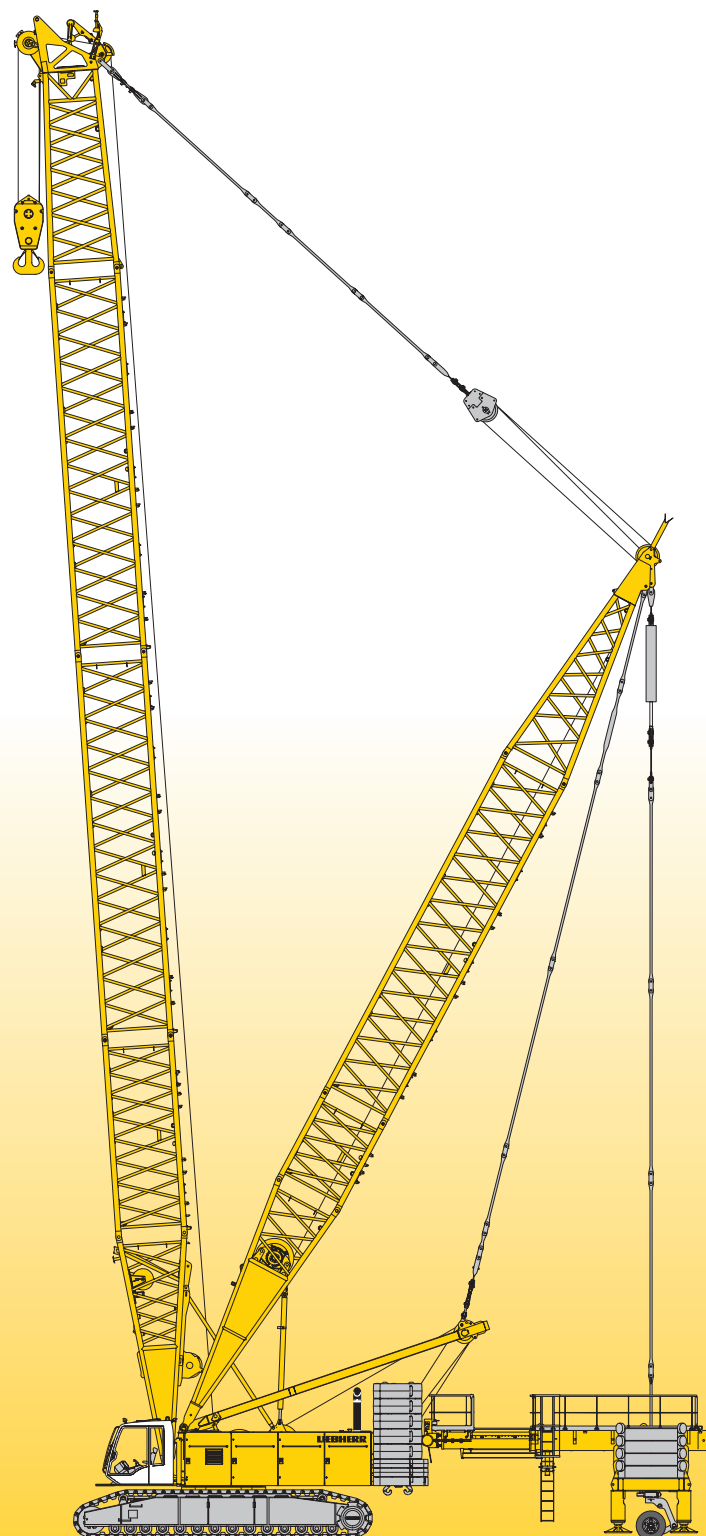


# Technical data Hydraulic lift crane

# LR 1280

Litronic®

## Derrick equipment

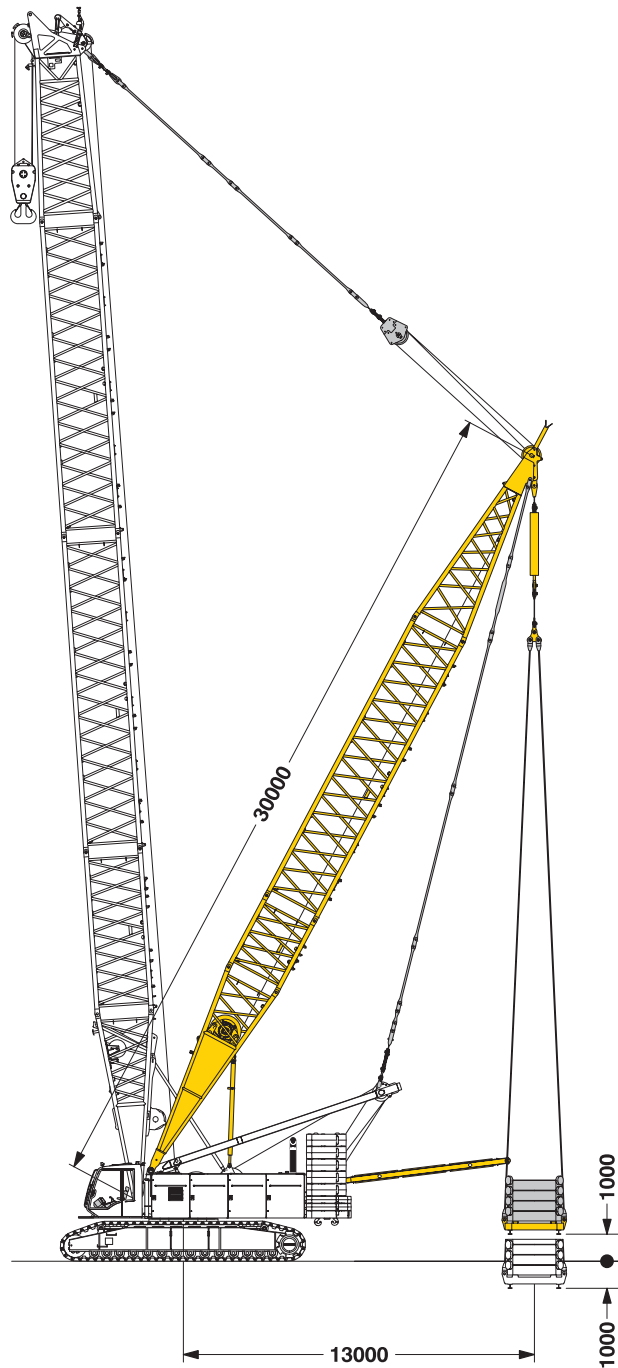


# LIEBHERR

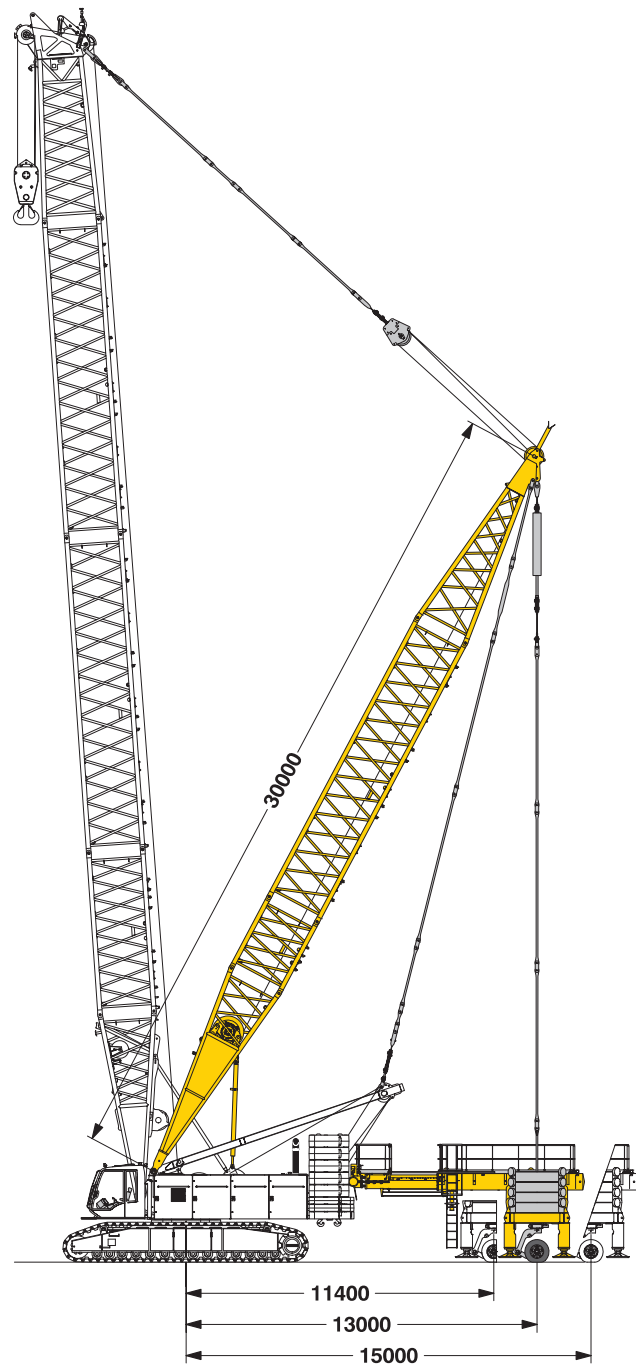
# Dimensions

## Basic machine with derrick equipment

Derrick equipment with suspended counterweight

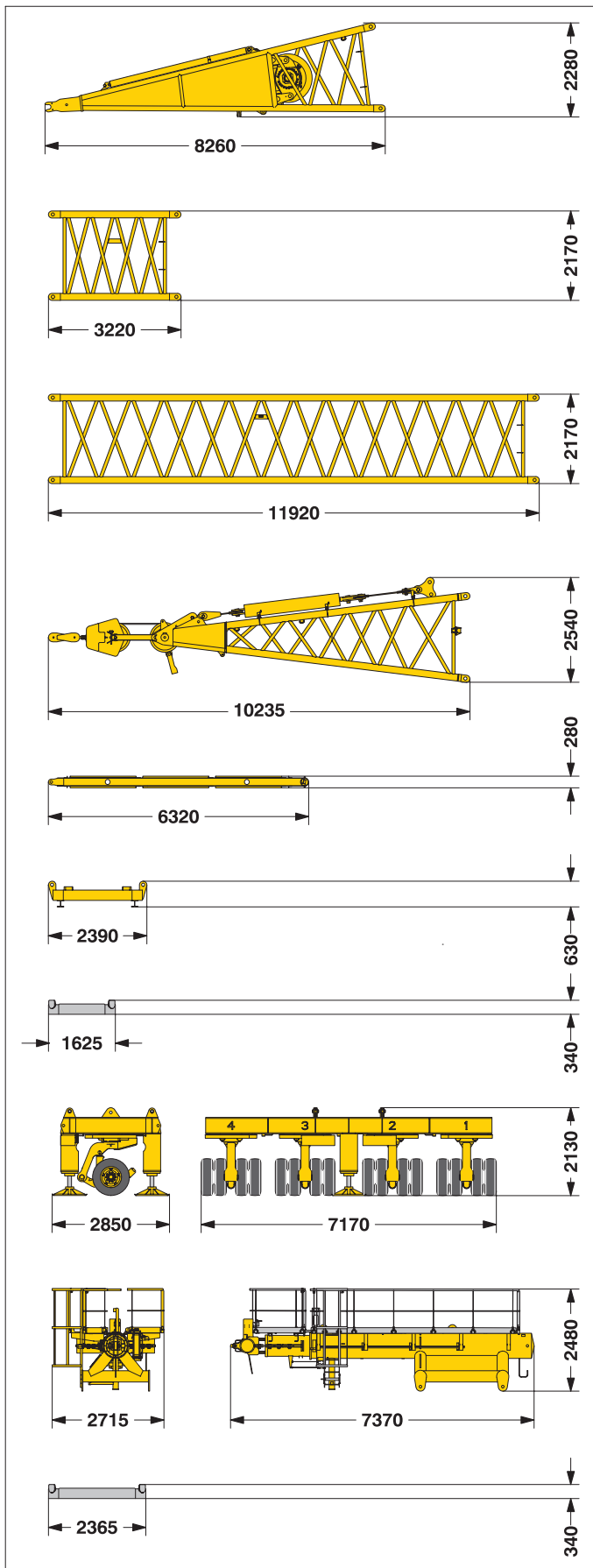


Derrick equipment with wheeled counterweight carriage



# Transport dimensions and weights

Basic machine and boom (No. 2220.xx)



\*) Including pendant straps; \*\*) Including pendant ropes

## Derrick foot (No. 2220.24)

Width	mm	2420
Weight incl. rope	kg	7800

## Boom section (No. 2220.24)

**3 m**

Width	mm	2420
Weight*	kg	1030

## Boom section (No. 2220.22)

**11.7 m**

Width	mm	2420
Weight*	kg	2560

## Derrick head (No. 2220.22)

Width	mm	2420
Weight	kg	5400

## Distance frame

Width	mm	2470
Weight	kg	495

## Counterweight frame

Width	mm	5020
Weight**	kg	14360

## Counterweight

Width	mm	1625
Weight	kg	5010

## Wheeled counterweight carriage

Width	mm	2850
Weight*	kg	13155

## Telescopic unit

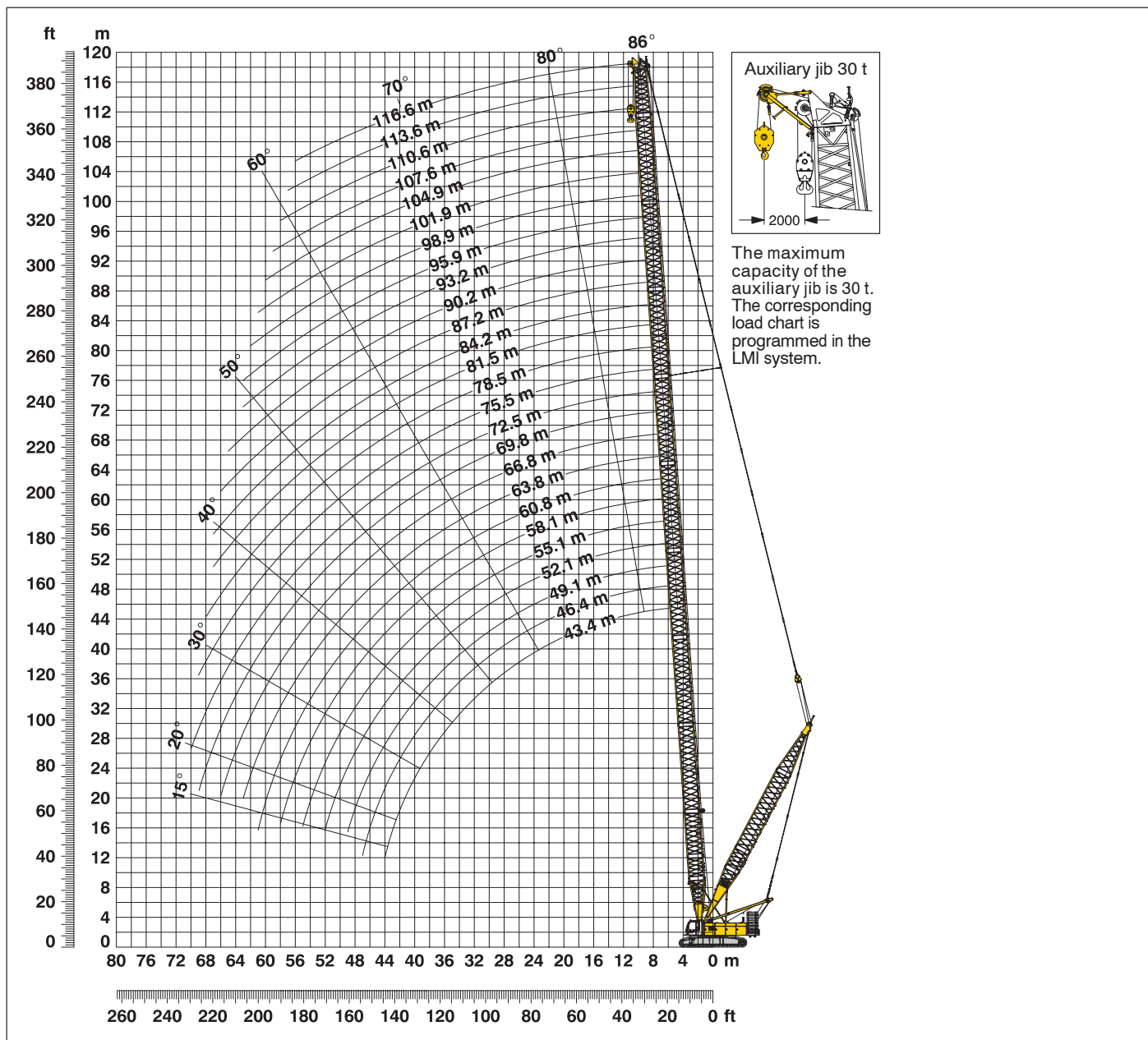
Width	mm	2715
Weight	kg	6640

## Counterweight for wheeled carriage

Width	mm	1800
Weight	kg	7340

# Working range - main boom (No. 2220.xx) 86° - 15°

## 85.5 t counterweight and 36 t carbody counterweight



### Main boom configuration (Table 1 - No. 2220.xx)

Configuration for boom lengths (43.4 m – 116.6 m)

Length	Amount of boom extensions																									
Boom foot 7.0 m	1	1	1	1	1	1	1	1	1	1	1	1	1	1	1	1	1	1	1	1	1	1	1	1		
Boom insert 3.0 m	1		1			1			1			1			1			1			1			1		
Boom insert 6.0 m	1	1			1	1			1	1			1	1			1	1			1	1		1		
Boom insert 11.7 m	2	2	3	3	3	3	4	4	4	4	5	5	5	5	6	6	6	6	7	7	7	7	8	8	8	
Boom head 7.0 m	1	1	1	1	1	1	1	1	1	1	1	1	1	1	1	1	1	1	1	1	1	1	1	1	1	
Boom length in (m)	43.4	46.4	49.1	52.1	55.1	58.1	60.8	63.8	66.8	69.8	72.5	75.5	78.5	81.5	84.2	87.2	90.2	93.2	95.9	98.9	101.9	104.9	107.6	110.6	113.6	116.6

# Lift chart for main boom (No. 2220.xx)

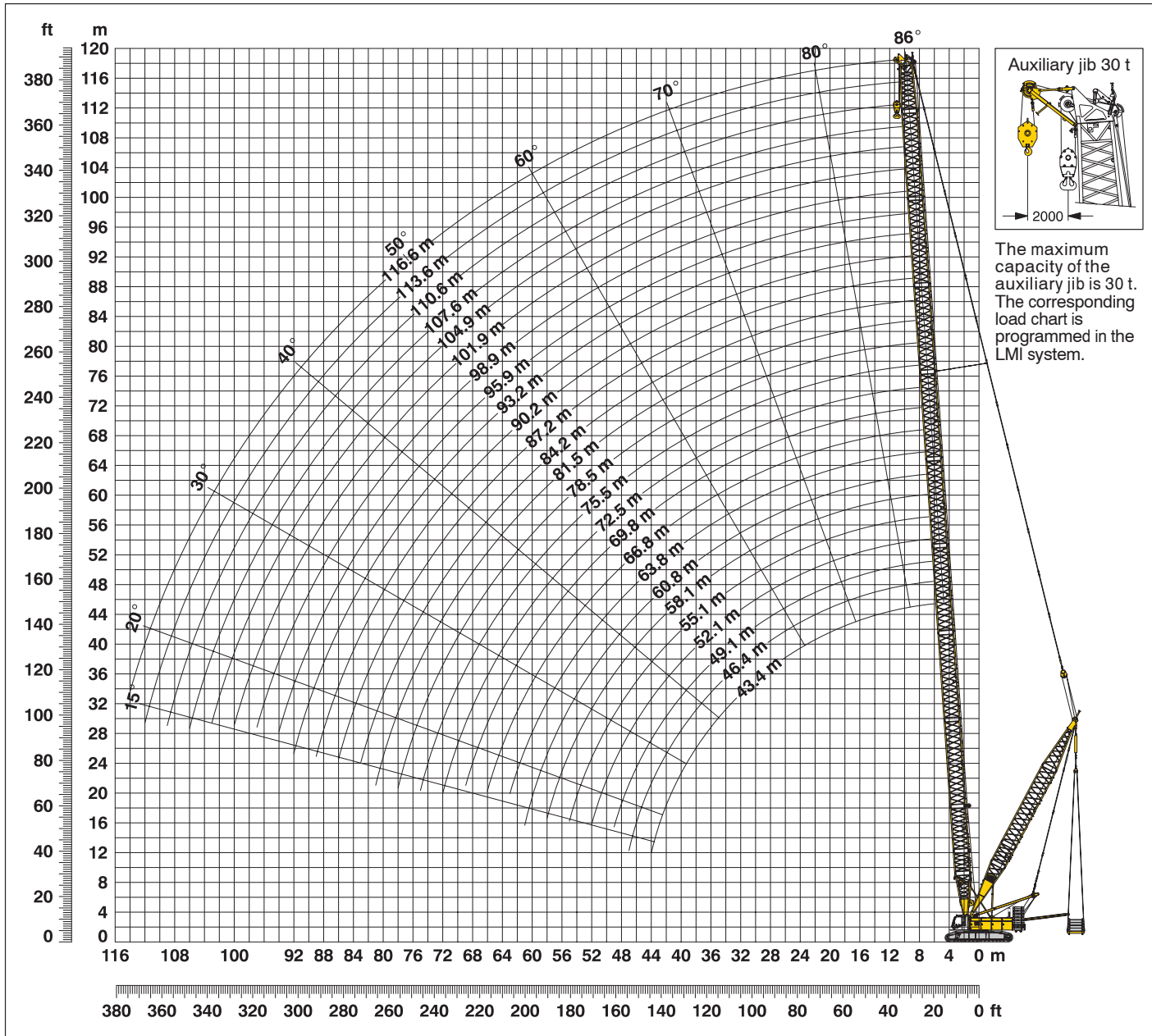
Capacities in metric tons for boom lengths (43.4 m – 116.6 m) – with 150 kN winches  
85.5 t counterweight and 36.0 t carbody counterweight

Radius (m)	Boom length in (m)											Radius (m)	
	43.4	52.1	63.8	72.5	78.5	84.2	90.2	95.9	98.9	104.9	110.6		116.6
5.9	t	t	t	t	t	t	t	t	t	t	t	t	5.9
6	193.7												6
7	190.0												7
8	152.6	152.7											8
9	127.0	127.0	107.9	84.1									9
10	108.2	108.1	106.6	83.6	72.1	58.5							10
12	94.1	93.9	93.3	82.2	71.4	58.4	50.2	38.8	36.1				12
14	74.2	74.1	73.4	72.8	70.1	58.3	48.7	38.2	35.6	30.8	25.7	21.8	14
16	60.2	59.9	59.7	59.2	58.7	56.8	47.4	37.3	34.7	29.9	25.0	21.3	16
18	50.6	50.2	49.5	48.8	48.3	47.9	46.2	36.5	33.9	29.2	24.3	20.7	18
20	47.8	43.1	42.3	41.7	41.1	40.7	40.2	35.8	33.3	28.8	23.7	20.2	20
22	41.7	37.0	36.2	35.6	35.0	34.6	34.0	33.6	32.7	28.5	23.2	19.7	22
24	36.4	36.0	31.4	30.7	30.2	30.1	29.8	29.3	29.0	28.2	22.7	19.3	24
26	32.0	31.7	27.9	27.3	26.7	26.2	25.7	25.2	24.9	24.3	22.3	18.9	26
28	28.8	28.5	27.8	23.9	23.3	22.9	22.3	21.8	21.5	20.9	20.4	18.7	28
30	25.7	25.4	24.7	24.1	20.5	20.0	19.4	18.9	18.6	18.0	17.6	17.0	30
32	23.0	22.7	22.0	21.4	20.8	17.6	17.0	16.5	16.2	15.6	15.1	15.1	32
34	20.7	20.3	19.6	19.0	18.5	18.1	15.1	15.1	14.9	14.2	13.7	13.1	34
36	18.6	18.3	17.6	17.0	16.5	16.1	15.5	13.2	12.9	12.3	11.8	11.2	36
38	16.8	16.5	15.8	15.2	15.1	14.9	14.4	13.9	11.2	10.6	10.1	9.4	38
40	15.2	15.1	14.8	14.2	13.7	13.2	12.7	12.2	11.9	9.0	8.5	7.9	40
42	14.2	13.9	13.3	12.7	12.2	11.7	11.2	10.7	10.4	9.8	7.2	6.6	42
44	12.8	12.6	11.9	11.3	10.8	10.4	9.8	9.4	9.1	8.5	8.0	5.4	44
46	11.4	11.3	10.7	10.1	9.6	9.2	8.6	8.2	7.9	7.3	6.8	6.2	46
50		10.2	9.6	9.0	8.5	8.1	7.5	7.1	6.8	6.2	5.7	5.1	50
55		8.2	7.7	7.1	6.6	6.2	5.6	5.2	4.9	4.3	3.8	3.2	55
60			5.6	5.1	4.6	4.2	3.7	3.2	2.9	2.3			60
65			3.9	3.4	3.0	2.6	2.0						65
				2.0									65

Above lift chart is for reference only. For actual lift duty please refer to lift chart in operator's cab or manual.

# Working range - main boom (No. 2220.xx) **86° - 15°**

**85.5 t counterweight, 36 t carbody counterweight and max. 120 t suspended counterweight at 13 m radius**



## Main boom configuration (Table 1 - No. 2220.xx)

Configuration for boom lengths (43.4 m - 116.6 m)

Length	Amount of boom extensions																										
Boom foot	7.0 m	1	1	1	1	1	1	1	1	1	1	1	1	1	1	1	1	1	1	1	1	1	1				
Boom insert	3.0 m	1		1		1		1		1		1		1		1		1		1		1					
Boom insert	6.0 m	1	1		1	1		1	1		1	1		1	1		1	1		1	1		1				
Boom insert	11.7 m	2	2	3	3	3	3	4	4	4	4	5	5	5	5	6	6	6	6	7	7	7	8				
Boom head	7.0 m	1	1	1	1	1	1	1	1	1	1	1	1	1	1	1	1	1	1	1	1	1	1				
Boom length in (m)		43.4	46.4	49.1	52.1	55.1	58.1	60.8	63.8	66.8	69.8	72.5	75.5	78.5	81.5	84.2	87.2	90.2	93.2	95.9	98.9	101.9	104.9	107.6	110.6	113.6	116.6

# Lift chart for main boom (No. 2220.xx)

## 85.5 t counterweight and 36 t carbody counterweight

### Main boom 43.4 m

Radius (m)	Suspended counterweight at 13 m radius				
	0	50	75	90	120
	t	t	t	t	t
5.9	193.7	200.3			
6	190.0	200.3			
7	152.6	199.4			
8	127.0	197.5	197.5		
9	108.2	191.8	194.5	194.7	
10	94.1	167.7	191.3	191.3	
12	74.2	133.2	162.9	180.8	182.9
14	60.2	110.1	134.9	149.8	176.1
16	50.6	93.4	114.9	127.6	153.2
18	47.8	85.6	104.1	115.5	137.9
20	41.7	74.9	91.6	101.8	121.7
22	36.4	66.6	81.6	90.6	108.7
24	32.0	59.7	73.5	81.6	98.1
26	28.8	53.9	66.4	74.1	89.0
28	25.7	48.9	60.5	67.5	81.5
30	23.0	44.8	55.5	61.9	74.5
32	20.7	41.0	51.1	57.2	68.1
34	18.6	37.7	47.1	52.9	62.3
36	16.8	34.8	43.9	49.1	57.3
38	15.2	32.2	40.7	45.7	52.6
40	14.2	30.0	37.9	42.8	48.2
42	12.8	27.9	35.4	39.3	44.1

### Main boom 52.1 m

Radius (m)	Suspended counterweight at 13 m radius				
	0	50	75	90	120
	t	t	t	t	t
7	152.7	153.0			
8	127.0	151.6			
9	108.1	150.2			
10	93.9	147.5	147.5		
12	74.1	132.9	141.2	141.2	
14	59.9	109.8	134.5	137.1	
16	50.2	93.0	114.5	127.2	131.8
18	43.1	80.4	99.2	110.4	126.7
20	37.0	70.6	87.3	97.2	117.1
22	36.0	66.2	81.3	90.2	108.4
24	31.7	59.5	73.1	81.2	97.7
26	28.5	53.5	66.1	73.8	88.6
28	25.4	48.5	60.1	67.2	81.1
30	22.7	44.5	55.2	61.6	74.5
32	20.3	40.7	50.7	56.9	69.0
34	18.3	37.4	46.8	52.6	63.9
36	16.5	34.5	43.6	48.8	59.6
38	15.1	31.9	40.5	45.4	55.6
40	13.9	29.8	37.7	42.5	52.1
42	12.6	27.7	35.2	39.8	48.3
44	11.3	25.7	32.9	37.3	44.9
46	10.2	24.0	30.8	35.0	41.6
48	9.2	22.3	29.1	32.9	38.5
50	8.2	20.8	27.3	31.0	35.6

### Main boom 63.8 m

Radius (m)	Suspended counterweight at 13 m radius				
	0	50	75	90	120
	t	t	t	t	t
8	107.9				
9	106.6	106.6			
10	93.3	105.5			
12	73.4	100.5			
14	59.7	97.9	97.9		
16	49.5	92.2	94.8	94.8	
18	42.3	79.6	90.8	90.8	
20	36.2	69.8	85.6	85.6	
22	31.4	61.6	76.7	84.8	85.2
24	27.9	55.2	68.9	77.0	82.9
26	27.8	52.8	65.4	73.1	81.3
28	24.7	47.8	59.7	66.5	79.8
30	22.0	43.8	54.5	60.9	74.0
32	19.6	40.0	50.0	56.2	68.2
34	17.6	36.7	46.1	51.9	63.2
36	15.8	33.8	42.9	48.1	58.9
38	14.8	31.2	39.8	45.0	55.0
40	13.3	29.2	37.0	41.9	51.4
42	11.9	27.1	34.5	39.1	48.2
44	10.7	25.1	32.3	36.7	45.3
46	9.6	23.4	30.2	34.4	42.8
50	7.7	20.3	26.8	30.4	38.1
55	5.6	17.1	22.9	26.4	33.0
60	3.9	14.7	19.7	22.9	27.8

### Main boom 72.5 m

Radius (m)	Suspended counterweight at 13 m radius				
	0	50	75	90	120
	t	t	t	t	t
8	83.3				
10	81.7				
12	72.8	79.7			
14	59.2	76.8			
16	48.8	74.6	74.6		
18	41.7	71.6	71.6		
20	35.6	68.9	68.9	68.9	
22	30.7	61.0	66.7	66.7	
24	27.3	54.6	65.0	65.0	
26	23.9	49.0	61.5	63.7	
28	24.1	47.2	59.1	62.6	
30	21.4	43.2	53.9	60.3	61.6
32	19.0	39.4	49.4	55.6	60.7
34	17.0	36.1	45.5	51.3	59.9
36	15.2	33.2	42.3	47.5	58.4
38	14.2	30.6	39.2	44.4	54.4
40	12.7	28.6	36.4	41.3	50.8
44	10.1	24.6	31.7	36.1	44.9
46	9.0	22.8	29.9	33.8	42.2
50	7.1	19.8	26.2	30.1	37.6
55	5.1	16.6	22.4	25.9	32.7
60	3.4	14.2	19.3	22.5	28.8
65	2.0	11.9	16.6	19.5	25.2
70		9.9	14.5	17.0	21.1



# Lift chart for main boom (No. 2220.xx)

## 85.5 t counterweight and 36 t carbody counterweight

### Main boom 78.5 m

Radius (m)	Suspended counterweight at 13 m radius				
	0	50	75	90	120
	t	t	t	t	t
10	70.5				
12	69.4	69.4			
14	58.7	66.8			
16	48.3	64.6			
18	41.1	62.7	63.3		
20	35.0	60.3	60.3		
22	30.2	56.4	56.4		
24	26.7	54.0	55.3	55.3	
26	23.3	48.4	54.4	54.4	
28	20.5	44.0	53.3	53.3	
30	20.8	42.7	52.2	52.2	
32	18.5	38.9	48.9	51.3	
34	16.5	35.6	45.0	50.5	50.5
36	15.1	32.7	41.8	47.0	49.8
38	13.7	30.1	38.7	43.9	49.2
40	12.2	28.1	35.9	40.8	48.9
44	9.6	24.1	31.2	35.6	44.4
46	8.5	22.3	29.4	33.3	41.7
50	6.6	19.3	25.7	29.6	37.1
55	4.6	16.1	21.9	25.4	32.2
60	3.0	13.8	18.8	22.0	28.4
65		11.5	16.1	19.1	24.9
70		9.5	14.1	16.6	22.0
75		7.8	12.0	14.6	18.6

### Main boom 82.2 m

Radius (m)	Suspended counterweight at 13 m radius				
	0	50	75	90	120
	t	t	t	t	t
10	57.1				
12	57.4				
14	56.0	56.0			
16	47.9	54.0			
18	40.7	52.6			
20	34.6	50.9			
22	30.1	49.1	49.1		
24	26.2	47.7	47.7		
26	22.9	46.4	46.4	47.1	
28	20.0	43.6	45.4	45.4	
30	17.6	39.5	43.4	43.4	
34	16.1	35.2	41.6	41.6	
36	14.9	32.3	40.8	40.8	
38	13.2	30.0	38.3	40.1	42.1
40	11.7	27.7	35.5	39.5	39.5
44	9.2	23.6	30.8	35.2	38.9
46	8.1	21.9	29.0	32.9	38.6
50	6.2	18.9	25.3	29.2	36.7
55	4.2	15.7	21.5	25.0	31.8
60	2.6	13.4	18.4	21.6	28.0
65		11.1	15.8	18.7	24.6
70		9.1	13.7	16.2	21.6
75		7.4	11.7	14.3	19.1
80		5.9	9.9	12.3	16.3

### Main boom 90.2 m

Radius (m)	Suspended counterweight at 13 m radius				
	0	50	75	90	120
	t	t	t	t	t
10	50.2				
14	47.4				
16	46.2	46.2			
18	40.2	45.2			
20	34.0	43.5			
22	29.8	43.0			
24	25.7	42.5	42.5		
26	22.3	42.2	42.2		
28	19.4	41.8	41.8	41.8	
30	17.0	38.9	41.6	41.6	
34	15.5	34.6	41.5	41.5	
36	14.4	31.7	40.8	41.5	
38	12.7	29.5	37.7	41.4	42.1
40	11.2	27.1	35.0	39.8	41.4
44	8.6	23.1	30.2	34.6	41.4
46	7.5	21.4	28.4	32.4	40.8
50	5.6	18.3	24.8	28.7	36.1
55	3.7	15.2	21.0	24.5	31.3
60	2.0	12.9	17.9	21.1	27.5
65		10.6	15.2	18.2	24.1
70		8.6	13.2	15.7	21.1
75		7.0	11.2	13.8	18.6
80		5.5	9.5	11.8	16.4
85		4.2	7.9	10.1	14.4

### Main boom 95.9 m

Radius (m)	Suspended counterweight at 13 m radius				
	0	50	75	90	120
	t	t	t	t	t
10	38.7				
14	37.1				
16	36.3				
18	35.6				
20	33.6	35.1			
24	25.2	34.7			
26	21.8	34.7			
28	18.9	34.7	34.7		
30	16.5	34.7	34.7		
32	15.1	34.6	34.6	34.6	
34	13.2	31.7	34.6	34.6	
36	13.9	31.3	34.6	34.6	
38	12.2	29.0	34.6	34.6	
40	10.7	26.7	34.5	34.6	
44	8.2	22.6	30.0	34.2	34.5
50	5.2	17.9	24.3	28.2	34.4
55	3.2	15.1	20.6	24.1	30.9
60		12.4	17.4	20.6	27.0
65		10.2	15.1	17.7	23.6
70		8.2	12.8	15.3	20.7
75		6.5	10.8	13.4	18.2
80		5.1	9.1	11.5	16.0
85		3.8	7.5	9.7	14.2
90		2.6	6.1	8.2	12.4



# Lift chart for main boom (No. 2220.xx)

## 85.5 t counterweight and 36 t carbody counterweight

### Main boom 98.9 m

Radius (m)	Suspended counterweight at 13 m radius				
	0	50	75	90	120
	t	t	t	t	t
10	36.1				
14	34.7				
16	33.9				
20	32.7	32.7			
24	24.9	32.1			
26	21.5	32.1			
28	18.6	32.1	32.1		
30	16.2	32.1	32.1		
34	12.9	31.4	32.0	32.0	
36	11.2	29.0	32.0	32.0	
38	11.9	28.7	32.0	32.0	
40	10.4	26.4	32.0	32.0	
44	7.9	22.3	29.7	32.0	
46	6.8	20.6	27.7	31.6	31.9
50	4.9	17.6	24.0	27.9	31.9
55	2.9	14.8	20.3	23.8	30.6
60		12.1	17.2	20.3	26.7
65		9.9	14.9	17.5	23.3
70		7.9	12.5	15.1	20.4
75		6.3	10.5	13.1	17.9
80		4.8	8.8	11.2	15.7
85		3.5	7.2	9.5	14.0
90		2.3	5.9	8.0	12.2
95			4.6	6.6	10.3

### Main boom 104.9 m

Radius (m)	Suspended counterweight at 13 m radius				
	0	50	75	90	120
	t	t	t	t	t
12	30.8				
16	29.2				
20	28.5				
22	28.2	28.2			
24	24.3	28.0			
26	20.9	27.9			
28	18.0	27.8			
30	15.6	27.7	27.7		
34	12.3	27.6	27.6		
36	10.6	27.5	27.5	27.5	
40	9.8	25.8	27.5	27.5	
44	7.3	21.8	27.5	27.5	
48	5.2	18.4	25.2	27.4	27.4
50	4.3	17.0	23.5	27.3	27.4
55	2.3	14.3	19.7	23.2	27.3
60		11.6	16.6	19.8	26.2
65		9.3	14.3	16.9	22.8
70		7.4	12.0	14.7	19.9
75		5.7	10.0	12.6	17.4
80		4.2	8.2	10.6	15.2
85		3.0	6.7	9.0	13.4
90			5.3	7.5	11.7
95			4.1	6.1	10.1
100			3.0	4.9	8.6

### Main boom 110.6 m

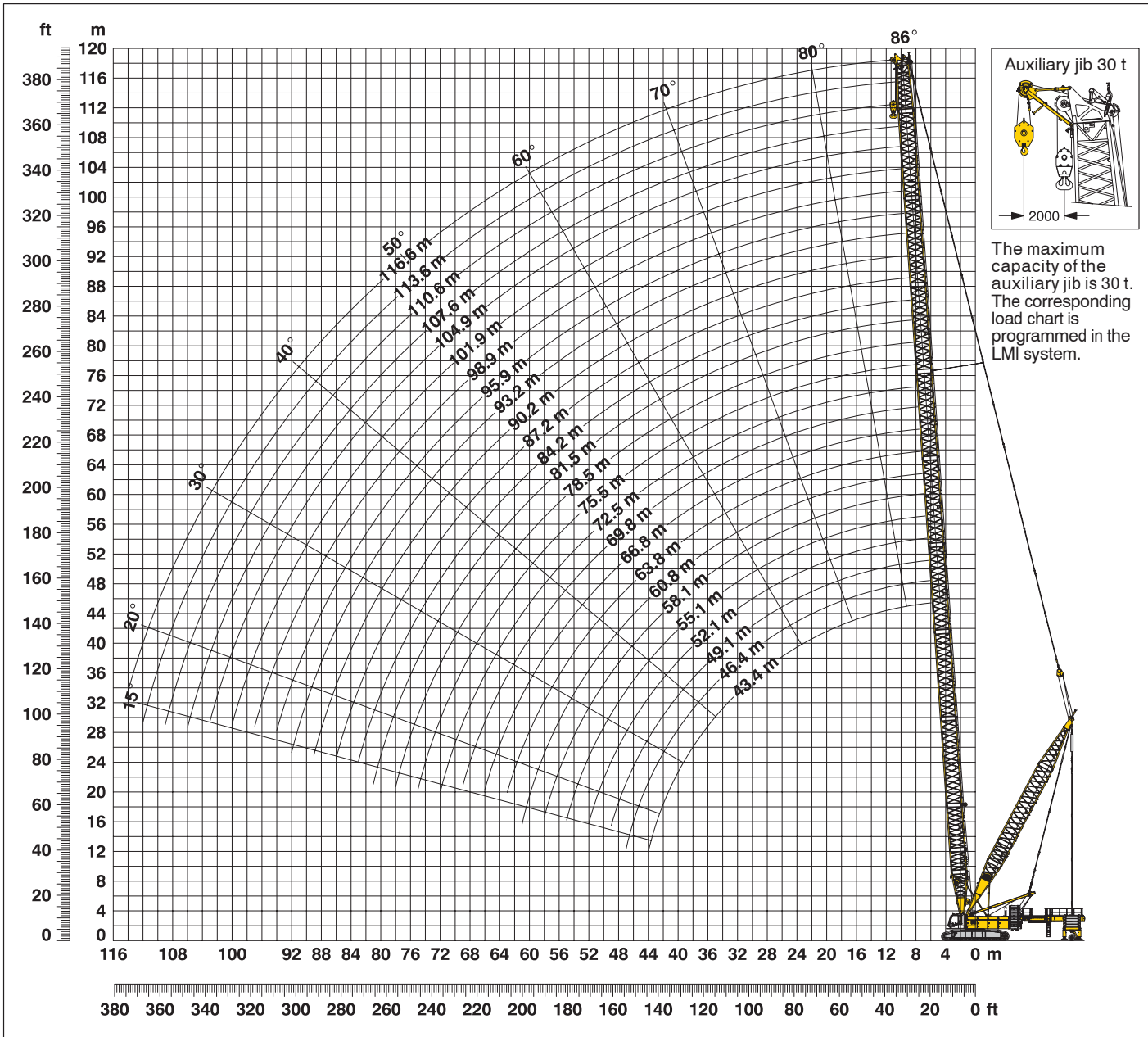
Radius (m)	Suspended counterweight at 13 m radius				
	0	50	75	90	120
	t	t	t	t	t
12	25.5				
16	24.1				
20	23.1				
22	22.6				
24	22.3	22.3			
26	20.4	22.2			
30	15.1	22.1			
32	13.7	22.1			
34	11.8	22.1	22.1		
36	10.1	22.1	22.1		
40	7.2	22.1	22.1	22.1	
42	8.0	22.0	22.0	22.0	
44	6.8	21.3	22.0	22.0	
46	5.7	19.6	22.0	22.0	
50	3.8	16.5	22.0	22.0	
55		13.8	19.2	21.9	21.9
60		11.1	16.1	19.3	21.9
70		6.9	11.5	14.3	19.4
80		3.8	7.8	10.2	14.8
85		2.5	6.3	8.5	12.8
90			4.9	7.0	11.2
95			3.7	5.7	9.7
100			2.6	4.5	8.3
105				3.4	6.9

### Main boom 116.6m

Radius (m)	Suspended counterweight at 13 m radius				
	0	50	75	90	120
	t	t	t	t	t
12	21.8				
16	20.7				
20	19.7				
24	18.9				
26	18.7	18.7			
30	15.1	18.6			
32	13.1	18.6			
34	11.2	18.6			
36	9.4	18.6	18.6		
38	7.9	18.6	18.6		
40	6.6	18.6	18.6		
42	5.4	18.6	18.6	18.6	
44	6.2	18.5	18.5	18.5	
46	5.1	18.5	18.5	18.5	
48	4.1	17.4	18.5	18.5	
50	3.2	15.9	18.5	18.5	
60		10.5	15.5	18.4	18.4
70		6.3	10.9	13.7	18.2
80		3.2	7.2	9.6	11.7
90			4.3	6.5	7.9
95			3.1	5.1	6.6
100			2.0	3.9	5.4
105				2.8	4.5
110					3.8

# Working range - main boom (No. 2220.xx) **86° - 15°**

**85.5 t counterweight, 36 t carbody counterweight and 120 t wheeled counterweight carriage from 11.4 m - 15 m radius**



## Main boom configuration (Table 1 - No. 2220.xx)

Configuration for boom lengths (43.4 m - 116.6 m)

Length	Amount of boom extensions																										
Boom foot	7.0 m	1	1	1	1	1	1	1	1	1	1	1	1	1	1	1	1	1	1	1	1	1	1				
Boom insert	3.0 m	1		1	1	1		1	1		1	1		1	1		1	1		1	1		1				
Boom insert	6.0 m	1	1		1	1		1	1		1	1		1	1		1	1		1	1		1				
Boom insert	11.7 m	2	2	3	3	3	3	4	4	4	4	5	5	5	6	6	6	6	7	7	7	7	8				
Boom head	7.0 m	1	1	1	1	1	1	1	1	1	1	1	1	1	1	1	1	1	1	1	1	1	1				
Boom length in (m)		43.4	46.4	49.1	52.1	55.1	58.1	60.8	63.8	66.8	69.8	72.5	75.5	78.5	81.5	84.2	87.2	90.2	93.2	95.9	98.9	101.9	104.9	107.6	110.6	113.6	116.6

# Lift chart for main boom (No. 2220.xx)

## Wheeled counterweight carriage at 15 m radius

Capacities in metric tons for boom lengths (43.4 m – 116.6 m) – with 150 kN winches  
85.5 t counterweight, 36.0 t carbody counterweight and 120 t wheeled counterweight carriage

Radius	Boom length in (m)												Radius
	43.4	52.1	63.8	72.5	78.5	84.2	90.2	95.9	98.9	104.9	110.6	116.6	
(m)	t	t	t	t	t	t	t	t	t	t	t	t	(m)
5.9	200.3												5.9
6	200.3												6
7	199.4	153.0											7
8	197.5	151.6	107.9	83.3									8
9	194.5	150.2	106.6	82.9	71.2	57.1							9
10	191.3	147.5	105.5	81.7	70.5	57.1	50.2	38.7	36.1				10
12	182.9	141.2	100.5	79.7	69.4	57.4	48.7	38.0	35.6	30.8	25.5	21.8	12
14	176.1	137.1	97.9	76.8	66.8	56.0	47.4	37.1	34.7	29.5	24.8	21.3	14
16	166.6	131.8	94.8	74.6	64.6	54.0	46.2	36.3	33.9	29.2	24.1	20.7	16
18	149.7	126.7	90.8	71.6	62.7	52.6	45.2	35.6	33.3	28.8	23.6	20.2	18
20	132.2	122.8	85.6	68.9	60.3	50.9	43.5	35.1	32.7	28.5	23.1	19.7	20
22	118.1	117.7	84.8	66.7	56.4	49.1	43.0	34.7	32.2	28.2	22.6	19.3	22
24	106.6	106.2	82.9	65.0	55.3	47.7	42.5	34.7	32.1	28.0	22.3	18.9	24
26	97.0	96.6	81.3	63.7	54.4	46.4	42.2	34.7	32.1	27.9	22.2	18.7	26
28	88.7	88.5	79.8	62.6	53.3	45.4	41.8	34.7	32.1	27.8	22.2	18.7	28
30	81.7	81.4	78.6	61.6	52.2	43.4	41.6	34.7	32.1	27.7	22.1	18.6	30
32	75.5	75.2	74.5	60.7	51.3	42.4	41.5	34.6	32.1	27.6	22.1	18.6	32
34	70.0	69.9	69.2	59.9	50.5	41.6	41.5	34.6	32.0	27.6	22.1	18.6	34
36	64.3	65.1	64.4	58.9	49.8	40.8	41.5	34.6	32.0	27.5	22.1	18.6	36
38	59.2	60.8	60.1	58.8	49.2	40.1	41.4	34.6	32.0	27.5	22.1	18.6	38
40	54.4	57.1	56.5	55.9	48.9	39.5	41.4	34.6	32.0	27.5	22.1	18.6	40
42	49.8	53.7	53.0	52.4	48.7	39.2	41.4	34.5	32.0	27.5	22.0	18.6	42
44	15.1	50.5	49.9	49.3	48.5	38.9	41.4	34.5	32.0	27.5	22.0	18.5	44
46		47.1	47.0	46.5	46.0	38.6	41.4	34.5	31.9	27.4	22.0	18.5	46
48		43.8	44.6	44.0	43.5	38.4	41.3	34.5	31.9	27.4	22.0	18.5	48
50		40.5	42.1	41.6	41.1	38.1	40.2	34.4	31.9	27.4	22.0	18.5	50
55			36.9	36.4	35.9	35.5	35.0	34.4	31.8	27.3	21.9	18.4	55
60			31.9	32.0	31.6	31.2	30.6	30.2	30.1	27.3	21.9	18.4	60
65				28.4	28.0	27.6	27.1	26.7	26.4	25.9	21.8	18.3	65
70				24.6	24.8	24.5	24.0	23.6	23.3	22.7	21.3	18.2	70
75					21.9	21.7	21.3	20.8	20.6	20.0	19.4	17.1	75
80						19.3	18.9	18.5	18.2	17.7	17.2	11.7	80
85							16.7	16.4	16.1	15.6	12.8	9.8	85
90								14.6	14.4	12.8	11.2	7.9	90
95									12.7	11.7	9.8	6.6	95
100										10.6	8.6	5.4	100
105											7.8	4.5	105
110												3.8	110

Above lift chart is for reference only. For actual lift duty please refer to lift chart in operator's cab or manual.



# Lift chart – luffing jib (No. 1916.xx)

## Main boom angle 88°

### Main boom 43.4 m

Radius (m)	Jib length in (m)							
	20	29	41	53	62	71	83	95
8.8	t							
11	66.2	t						
12	64.0	49.3						
14	62.0	48.8						
16	56.0	46.3	32.3					
18	50.2	42.5	30.5	20.7				
20	43.3	39.5	27.9	20.0	16.0			
22	38.1	35.9	26.2	19.1	15.5	10.9		
26	33.7	32.0	24.7	18.3	14.2	10.5	8.2	
32		26.3	22.1	17.2	13.3	9.8	6.9	4.7
40		20.7	19.0	15.7	12.4	9.2	6.4	4.3
44			15.3	13.7	11.4	8.5	5.9	3.9
48			13.5	12.9	11.0	8.2	5.6	3.7
55				12.0	10.4	7.9	5.4	3.5
60				9.7	9.2	7.3	4.9	3.1
70					8.5	6.8	4.6	2.8
75						5.8	4.1	2.3
							3.8	2.1

### Main boom 49.1 m

Radius (m)	Jib length in (m)							
	20	29	41	53	62	71	83	95
9	t							
11	57.3	t						
14	57.2	43.9						
16	51.9	42.3	30.3					
18	46.4	40.2	28.1	19.6				
20	40.6	37.4	26.5	19.0	15.2			
24	35.9	34.0	25.0	18.2	14.0	10.3		
26	15.1	26.8	22.3	16.8	13.1	9.7	6.8	
30		24.7	21.3	16.4	12.7	9.4	6.6	4.5
32		21.1	19.1	15.6	12.1	9.0	6.3	4.3
40		19.8	18.1	14.4	11.9	8.8	6.2	4.1
44			14.6	12.9	11.0	8.2	5.7	3.7
48			12.4	12.0	10.5	8.0	5.4	3.6
55				11.0	9.9	7.7	5.2	3.4
60				9.6	8.5	7.1	4.8	3.0
70					7.5	6.5	4.5	2.7
80						5.4	4.0	2.2
							3.3	

### Main boom 55.1 m

Radius (m)	Jib length in (m)							
	20	29	41	53	62	71	83	95
9.2	t							
12	52.2	t						
14	52.0	40.2						
17	48.5	39.3	27.9					
18	40.2	36.4	26.1	18.5				
20	38.2	35.0	25.4	18.2	14.5			
24	34.1	32.0	24.1	17.5	13.4	10.9		
26	26.5	25.5	21.6	16.2	12.6	9.3	6.6	
32		23.6	20.5	15.8	12.2	9.1	6.4	4.3
40		19.1	17.3	14.0	11.4	8.5	6.0	4.0
44			14.6	12.7	10.7	8.0	5.5	3.6
48			13.0	11.6	10.3	7.7	5.3	3.4
55				10.4	9.6	7.5	5.1	3.3
60				8.5	8.0	6.7	4.7	2.9
70					7.2	6.0	4.4	2.7
85						4.6	3.8	2.2
							2.7	

### Main boom 60.8 m

Radius (m)	Jib length in (m)							
	20	29	41	53	62	71	83	95
9.4	t							
12	46.6	t						
14	46.2	35.8						
17	43.3	35.0	25.3					
18	37.1	32.6	24.1	17.3				
19	33.0	30.3	23.0	16.7	12.7			
20	31.2	27.7	22.5	16.4	12.5	10.3		
24	25.5	23.2	20.3	15.3	11.7	8.7	6.2	
26		21.7	19.3	14.3	11.4	8.5	6.1	4.1
32		17.7	16.0	13.3	10.7	8.0	5.7	3.8
36			14.0	12.5	10.2	7.8	5.5	3.6
44			12.0	10.7	8.8	7.3	5.0	3.3
48				9.6	8.3	7.1	4.8	3.1
55				7.6	7.3	6.4	4.5	2.8
65					4.5	5.0	3.9	2.3
70						4.5	3.5	2.1
85							2.3	

### Main boom 66.8 m

Radius (m)	Jib length in (m)							
	20	29	41	53	62	71	83	95
9.7	t							
12	42.1	t						
14	41.3	32.6						
17	39.8	31.8	23.4					
19	35.1	28.9	22.4	16.3				
22	31.5	27.4	21.5	15.8	11.9			
24	26.5	24.2	20.1	14.4	11.4	8.6		
26	24.2	21.9	19.1	13.8	11.1	8.4	5.9	
32		20.5	18.1	13.3	10.8	8.2	5.8	3.8
36		17.1	15.1	12.0	10.4	7.8	5.5	3.6
44			13.9	11.3	10.1	7.5	5.2	3.4
48			11.2	9.7	8.6	7.0	4.8	3.1
55				8.6	7.9	6.7	4.6	3.0
65				7.0	6.5	5.9	4.3	2.7
70					5.2	4.6	3.6	2.2
85						4.2	3.2	
							2.0	

### Main boom 72.5 m

Radius (m)	Jib length in (m)							
	20	29	41	53	62	71	83	95
9.9	t							
12	36.1	t						
15	35.6	28.4						
17	33.6	26.9	20.6					
19	30.9	25.7	20.0	14.1				
22	27.5	24.8	19.1	13.7	10.8			
24	24.0	22.1	17.9	13.1	10.4	8.0		
26	22.2	20.1	17.0	12.8	10.2	7.8	5.5	
32		19.0	16.2	12.4	10.0	7.6	5.4	3.5
36		15.8	13.8	11.0	9.5	7.3	5.1	3.3
44			12.7	10.1	9.1	7.0	4.9	3.2
48			10.7	8.3	7.6	6.3	4.5	2.9
55				7.5	7.0	6.0	4.3	2.7
65				6.2	5.8	5.2	4.0	2.5
70					4.8	4.0	3.2	2.0
80						3.5	2.8	
							2.0	

Capacities in metric tons with luffing jib (No. 1916.xx) 85.5 t counterweight + 36 t carbody counterweight. Above lift chart is for reference only. For actual lift duty and complete chart with all available configurations please refer to lift chart in operator's cab or manual.

# Lift chart - luffing jib (No. 1916.xx)

Main boom angle 83°

## Main boom 43.4 m

Radius (m)	Jib length in (m)							
	20	29	41	53	62	71	83	95
14.3	60.6	t	t	t	t	t	t	t
17	49.7	45.7	t	t	t	t	t	t
22	36.8	36.4	27.0	t	t	t	t	t
24	33.1	32.8	25.6	18.3	t	t	t	t
26	30.1	30.1	24.5	18.0	t	t	t	t
28	t	27.6	23.4	17.6	13.6	t	t	t
30	t	25.4	22.5	17.2	13.3	9.7	t	t
34	t	21.7	20.6	16.5	12.8	9.3	6.5	t
36	t	20.1	19.7	16.1	12.5	9.2	6.4	t
38	t	t	18.4	15.8	12.3	9.0	6.2	4.1
48	t	t	13.9	13.4	11.2	8.3	5.6	3.7
55	t	t	t	11.0	10.6	7.8	5.2	3.3
65	t	t	t	t	8.2	7.3	4.7	2.8
75	t	t	t	t	t	5.9	4.1	2.3
80	t	t	t	t	t	t	3.9	2.1
85	t	t	t	t	t	t	3.7	t
90	t	t	t	t	t	t	t	t

## Main boom 49.1 m

Radius (m)	Jib length in (m)							
	20	29	41	53	62	71	83	95
15	56.1	t	t	t	t	t	t	t
18	45.8	41.4	t	t	t	t	t	t
22	36.3	35.9	26.1	t	t	t	t	t
26	30.1	29.8	23.8	17.3	t	t	t	t
28	27.4	27.2	22.8	17.0	13.0	t	t	t
30	t	25.0	22.0	16.6	12.7	10.3	t	t
34	t	21.4	20.3	16.0	12.3	9.0	6.2	t
36	t	19.9	19.4	15.6	12.1	8.9	6.2	t
38	t	t	18.1	15.3	11.9	8.7	6.0	4.0
46	t	t	14.4	13.6	11.1	8.2	5.6	3.6
48	t	t	13.7	13.2	10.9	8.1	5.5	3.6
55	t	t	t	10.8	10.4	7.7	5.1	3.3
60	t	t	t	9.5	9.1	7.5	4.8	3.0
65	t	t	t	t	8.0	7.2	4.6	2.7
75	t	t	t	t	t	5.8	4.1	2.3
80	t	t	t	t	t	t	3.8	2.0
85	t	t	t	t	t	t	3.6	t

## Main boom 55.1 m

Radius (m)	Jib length in (m)							
	20	29	41	53	62	71	83	95
15.8	50.0	t	t	t	t	t	t	t
19	42.7	37.9	t	t	t	t	t	t
22	35.7	35.3	24.8	t	t	t	t	t
26	29.7	29.3	23.1	16.7	t	t	t	t
28	27.0	26.7	22.3	16.4	13.3	t	t	t
32	t	22.7	20.8	15.8	12.1	8.9	t	t
36	t	19.5	19.0	15.3	11.7	8.6	6.0	t
38	t	t	17.8	14.2	11.5	8.5	5.9	3.9
42	t	t	15.6	13.7	11.2	8.2	5.7	3.7
48	t	t	13.4	12.8	10.6	7.9	5.4	3.5
55	t	t	t	10.6	10.1	7.5	5.0	3.2
60	t	t	t	9.2	8.9	7.3	4.7	3.0
65	t	t	t	t	7.8	7.0	4.5	2.7
75	t	t	t	t	t	5.6	4.0	2.2
80	t	t	t	t	t	t	3.8	2.0
90	t	t	t	t	t	t	3.2	t

## Main boom 60.8 m

Radius (m)	Jib length in (m)							
	20	29	41	53	62	71	83	95
16.5	43.4	t	t	t	t	t	t	t
20	39.4	33.5	t	t	t	t	t	t
24	31.6	31.1	22.6	t	t	t	t	t
28	26.6	26.2	21.3	15.7	t	t	t	t
30	t	24.1	20.6	15.4	11.6	t	t	t
32	t	22.2	19.9	14.3	11.4	8.4	t	t
36	t	19.2	18.4	13.7	11.1	8.2	5.7	t
38	t	17.8	17.4	13.5	10.9	8.1	5.6	t
40	t	t	16.3	13.3	10.7	8.0	5.5	3.7
44	t	t	14.7	12.8	10.5	7.8	5.3	3.5
48	t	t	13.1	12.2	10.2	7.6	5.2	3.4
50	t	t	12.3	11.8	10.1	7.5	5.1	3.3
60	t	t	t	9.0	8.6	7.0	4.6	2.9
70	t	t	t	t	6.4	6.2	4.1	2.4
75	t	t	t	t	t	5.4	3.9	2.2
90	t	t	t	t	t	t	3.0	t

## Main boom 66.8 m

Radius (m)	Jib length in (m)							
	20	29	41	53	62	71	83	95
17.2	38.8	t	t	t	t	t	t	t
20	38.5	30.4	t	t	t	t	t	t
24	30.9	29.2	21.3	t	t	t	t	t
28	26.0	25.6	20.3	14.1	t	t	t	t
30	23.8	23.5	19.7	13.9	11.0	t	t	t
34	t	20.1	18.5	13.4	10.7	8.0	t	t
36	t	18.7	17.9	13.1	10.5	7.9	5.4	t
38	t	17.4	16.9	12.9	10.4	7.8	5.4	t
40	t	t	15.8	12.7	10.2	7.7	5.3	3.5
44	t	t	14.4	12.4	10.0	7.5	5.1	3.4
50	t	t	12.0	11.2	9.6	7.2	4.9	3.2
55	t	t	t	10.0	9.0	7.0	4.7	3.0
60	t	t	t	8.7	8.2	6.7	4.4	2.8
70	t	t	t	t	6.3	5.9	4.0	2.3
75	t	t	t	t	t	5.1	3.7	2.1
90	t	t	t	t	t	t	2.8	t

## Main boom 72.5 m

Radius (m)	Jib length in (m)							
	20	29	41	53	62	71	83	95
17.9	33.6	t	t	t	t	t	t	t
22	32.7	26.1	t	t	t	t	t	t
24	30.2	25.7	19.2	t	t	t	t	t
28	25.4	23.6	18.7	13.0	t	t	t	t
30	23.3	22.1	18.3	12.9	t	t	t	t
32	t	21.0	17.8	12.7	10.0	t	t	t
34	t	19.6	17.2	12.5	9.8	7.5	t	t
38	t	17.0	16.0	12.0	9.6	7.4	5.1	t
40	t	t	15.3	11.8	9.4	7.3	5.0	3.6
44	t	t	13.6	11.2	9.2	7.1	4.8	3.1
48	t	t	12.4	10.5	9.0	6.9	4.7	3.0
50	t	t	11.7	10.1	8.8	6.8	4.6	3.0
60	t	t	t	7.8	7.4	6.1	4.2	2.6
70	t	t	t	t	5.9	5.1	3.7	2.2
80	t	t	t	t	t	4.1	3.2	t
90	t	t	t	t	t	t	2.6	t

Capacities in metric tons with luffing jib (No. 1916.xx) 85.5 t counterweight + 36 t carbody counterweight. Above lift chart is for reference only. For actual lift duty and complete chart with all available configurations please refer to lift chart in operator's cab or manual.

# Lift chart – luffing jib (No. 1916.xx)

## Main boom angle 75°

### Main boom 43.3 m

Radius (m)	Jib length in (m)							
	20	29	41	53	62	71	83	95
22.9	t	t	t	t	t	t	t	t
28	31.0							
32	24.7	24.2						
38	20.9	20.5	19.8					
42		16.5	15.8	15.1				
46		14.9	14.3	13.7	12.2			
48			12.7	12.0	11.5	8.6		
50			11.9	11.3	10.8	8.5		
55			11.2	10.6	10.2	8.3	5.6	
60				9.2	8.7	8.1	5.4	3.3
65				8.0	7.6	7.0	5.2	3.2
70				7.0	6.6	6.1	4.9	3.0
75					5.8	5.2	4.6	2.8
80						4.5	3.9	2.5
85						3.9	3.3	2.3
90							2.8	2.1
							2.3	

### Main boom 49.1 m

Radius (m)	Jib length in (m)							
	20	29	41	53	62	71	83	95
24.4	t	t	t	t	t	t	t	t
30	28.2							
34	21.8	21.3						
40	18.6	18.2	17.5					
42		15.1	14.6	13.9				
44		14.3	13.7	13.0				
46			12.8	12.1	11.6			
48			12.1	11.4	10.9	9.2		
50			11.4	10.7	10.2	8.2		
55			10.7	10.1	9.6	8.1		
60			9.3	8.7	8.2	7.6	5.3	
65				7.6	7.1	6.5	5.1	3.1
70				6.6	6.2	5.6	4.9	2.9
75					5.4	4.8	4.2	2.7
80					4.7	4.2	3.5	2.5
85						3.6	2.9	2.3
							2.4	

### Main boom 55.1 m

Radius (m)	Jib length in (m)							
	20	29	41	53	62	71	83	95
26	t	t	t	t	t	t	t	t
30	24.9							
36	20.8	20.2						
40	16.4	16.0	15.3					
42		14.5	13.8	12.6				
44		13.5	12.9	12.1				
46		12.7	12.1	11.3	10.8			
48			11.3	10.6	10.1			
50			10.7	10.0	9.5	8.0		
55			10.0	9.4	8.9	8.0		
60			8.7	8.1	7.6	7.0	5.2	
65				7.0	6.5	5.9	5.0	3.1
70				6.1	5.6	5.1	4.4	2.9
75					4.9	4.3	3.7	2.7
80					4.2	3.7	3.0	2.3
85						3.1	2.5	
						2.6		

### Main boom 60.8 m

Radius (m)	Jib length in (m)							
	20	29	41	53	62	71	83	95
27.4	t	t	t	t	t	t	t	t
32	22.1							
38	18.2	17.6						
40	15.1	14.7	13.9					
42		13.7	12.9					
44		12.8	12.1	11.3				
46		12.0	11.3	10.6				
48		11.2	10.6	9.9	9.4			
50			10.0	9.3	8.7			
55			9.4	8.7	8.2	7.5		
60			8.1	7.5	7.0	6.3	4.9	
65				6.4	6.0	5.4	4.6	2.9
70				5.6	5.1	4.5	3.8	2.8
75				4.8	4.4	3.8	3.1	2.4
80					3.8	3.2	2.6	
85						2.7	2.0	
						2.2		

### Main boom 66.8 m

Radius (m)	Jib length in (m)							
	20	29	41	53	62	71	83	95
29	t	t	t	t	t	t	t	t
34	19.3							
38	15.8	15.2						
44	14.1	13.6	12.4					
48		11.1	10.4	9.6				
50		9.8	9.2	8.4	7.9			
55			8.6	7.9	7.4			
60			7.4	6.7	6.2	5.6		
65			6.4	5.8	5.3	4.7	3.9	
70				5.0	4.5	3.9	3.2	2.4
75				4.3	3.8	3.3	2.5	
80					3.3	2.7		
					2.7	2.2		

### Main boom 72.5 m

Radius (m)	Jib length in (m)							
	20	29	41	53	62	71	83	95
30.5	t	t	t	t	t	t	t	t
36	17.0							
40	14.2	13.6						
46	12.3	11.8	11.0					
48		9.7	8.9	8.1				
50		9.1	8.4	7.6				
55			7.9	7.1	6.6			
60			6.8	6.0	5.5	4.9		
65			5.8	5.2	4.7	4.0	3.2	
70				4.4	3.9	3.3	2.6	
75					3.7	3.3	2.7	
80						2.8	2.2	
						2.3		

Capacities in metric tons with luffing jib (No. 1916.xx) 85.5 t counterweight + 36 t carbody counterweight. Above lift chart is for reference only. For actual lift duty and complete chart with all available configurations please refer to lift chart in operator's cab or manual.





# Lift chart – luffing jib (No. 1916.xx)

Main boom angle 75°

120 t suspended counterweight at 13 m radius

## Main boom 43.4 m

Radius (m)	Jib length in (m)							
	20	29	41	53	62	71	83	95
22.9	t	t	t	t	t	t	t	t
26	52.9							
28	49.2							
32	46.7	38.3						
38	41.5	35.4	23.9					
42		30.7	21.8	16.6				
46		26.4	20.2	16.1	12.2			
50			18.5	15.6	11.9	8.6		
55			17.0	14.2	11.6	8.3	5.6	
60				14.1	11.2	8.1	5.4	3.3
65				13.5	10.8	7.9	5.2	3.2
70				12.1	10.4	7.7	4.9	3.0
75					9.9	7.5	4.7	2.8
80						7.3	4.5	2.5
85						7.0	4.2	2.3
90							4.1	2.1
95							3.9	

## Main boom 49.1 m

Radius (m)	Jib length in (m)							
	20	29	41	53	62	71	83	95
24.4	t	t	t	t	t	t	t	t
30	47.8							
34	43.5	36.1						
40	38.9	33.9	22.9					
42		28.7	21.0	15.9				
44		27.5	20.3	15.7				
46			19.6	15.5	11.7			
50			18.9	15.3	11.6	9.2		
55			17.3	13.9	11.3	8.1		
60			15.5	13.7	11.0	7.9	5.3	
65				13.5	10.8	7.7	5.1	3.1
70				12.4	10.6	7.5	4.9	2.9
75					10.2	7.4	4.6	2.7
80					9.4	7.2	4.4	2.5
85						7.0	4.2	2.3
90							4.0	2.1
95							3.7	

## Main boom 55.1 m

Radius (m)	Jib length in (m)							
	20	29	41	53	62	71	83	95
26	t	t	t	t	t	t	t	t
28	45.0							
30	43.7							
36	42.3	34.9						
40	37.0	32.4	22.0					
44		28.7	20.9	15.4				
48		26.7	19.7	14.3	11.2			
55			18.4	13.9	11.1	8.0		
60			16.1	13.4	10.7	7.8	5.2	
65				13.2	10.5	7.6	5.0	3.1
70				12.4	10.4	7.4	4.8	2.9
75					10.2	7.3	4.6	2.7
80					9.6	7.1	4.4	2.5
85						6.9	4.2	2.3
90						6.7	4.0	2.1
95							3.9	

## Main boom 60.8 m

Radius (m)	Jib length in (m)							
	20	29	41	53	62	71	83	95
27.4	t	t	t	t	t	t	t	t
30	40.5							
32	39.7							
38	38.4	32.1						
42	15.1	29.5	20.7					
46		27.3	19.8	13.7				
50		24.5	18.8	13.5	10.5			
55			17.6	13.1	10.4	7.6		
60			16.2	12.8	10.3	7.5	4.9	
65				12.7	10.1	7.3	4.8	2.9
70				12.2	10.0	7.2	4.7	2.8
75				11.0	9.8	7.1	4.5	2.6
80					9.3	6.9	4.3	2.4
85						6.8	4.1	2.3
90						6.5	3.9	2.1
95							3.8	

## Main boom 66.8 m

Radius (m)	Jib length in (m)							
	20	29	41	53	62	71	83	95
29	t	t	t	t	t	t	t	t
34	36.8							
38	34.8	29.1						
44	31.9	27.8	19.8					
48		24.7	18.8	13.0				
55		22.4	17.9	12.8	9.9			
60			16.1	12.3	9.8	7.2		
65			13.7	12.2	9.7	7.1	4.6	
70				11.9	9.5	7.0	4.5	2.7
75				11.4	9.4	6.8	4.3	2.6
80					9.1	6.7	4.2	2.4
85					8.5	6.5	4.0	2.2
95						6.3	3.8	2.0
100							3.6	

## Main boom 72.5 m

Radius (m)	Jib length in (m)							
	20	29	41	53	62	71	83	95
30.5	t	t	t	t	t	t	t	t
36	31.9							
40	28.8	25.2						
46	26.2	23.4	18.2					
48		21.0	17.4	12.0				
50		20.2	17.0	11.9				
55			16.5	11.8	9.1			
60			15.3	11.5	9.0	6.8		
65			13.5	11.2	9.0	6.7	4.4	
70				10.8	8.8	6.6	4.3	2.6
75				10.2	8.7	6.5	4.1	2.4
80					8.4	6.4	4.0	2.3
85					7.9	6.2	3.8	2.1
90						5.7	3.5	
100							3.3	

Capacities in metric tons with luffing jib (No. 1916.xx) 85.5 t counterweight, 36 t carbody counterweight and 120 t suspended counterweight. Above lift chart is for reference only. For actual lift duty and complete chart with all available configurations please refer to lift chart in operator's cab or manual.

# Lift chart - luffing jib (No. 1916.xx)

Main boom angle 65°

120 t suspended counterweight at 13 m radius

## Main boom 43.4 m

Radius (m)	Jib length in (m)							
	20	29	41	53	62	71	83	95
33.1	t	t	t	t	t	t	t	t
38	47.3							
40	44.2							
46	42.6	34.8						
48		31.1	21.0					
55		28.9	20.6					
60			17.9	13.9				
65			16.3	13.6	10.8			
70				13.3	10.6	7.5		
75				12.4	10.5	7.4	4.7	
80					10.2	7.3	4.5	
85					9.8	7.2	4.4	2.4
90						7.2	4.2	2.3
95						7.0	4.1	2.1
100							4.0	
							3.9	

## Main boom 49.1 m

Radius (m)	Jib length in (m)							
	20	29	41	53	62	71	83	95
35.5	t	t	t	t	t	t	t	t
38	44.4							
42	43.7							
48	41.4	33.8						
50		30.9	20.3					
55		28.9	20.0					
60			18.6	13.5				
65			17.0	13.3	10.3			
70				13.1	10.3	8.2		
75				12.7	10.2	7.2		
80				11.7	10.1	7.2	4.4	
85					10.0	7.1	4.3	2.3
90						7.1	4.2	2.2
95						7.0	4.0	2.1
100							3.9	
							3.9	

## Main boom 55.1 m

Radius (m)	Jib length in (m)							
	20	29	41	53	62	71	83	95
38	t	t	t	t	t	t	t	t
44	41.4							
50	39.9	32.3						
55		30.5						
60			19.0					
65			17.5	12.9				
70			16.1	12.8	9.9			
75				12.7	9.9	7.0		
85				12.5	9.9	7.0	4.3	
90					9.8	6.9	4.1	2.2
95						6.9	4.0	2.1
105						6.9	3.9	
							3.8	

## Main boom 60.8 m

Radius (m)	Jib length in (m)							
	20	29	41	53	62	71	83	95
40.4	t	t	t	t	t	t	t	t
46	38.5							
48	37.4	29.4						
55	15.1	29.3						
60		27.5	18.6					
65			17.8	12.3				
70			16.6	12.3	9.4			
80				12.2	9.3	6.7		
85				11.5	9.3	6.7	4.1	
90					9.3	6.7	4.0	2.1
95						6.7	3.9	2.0
105						6.7	3.8	
							3.7	

## Main boom 66.8 m

Radius (m)	Jib length in (m)							
	20	29	41	53	62	71	83	95
43	t	t	t	t	t	t	t	t
50	35.2							
55	32.3	27.2						
65		25.8	17.9					
70			16.7	11.7				
75			15.7	11.7	8.8			
80				11.7	8.8	6.4		
90				11.7	8.9	6.4	3.9	
100					8.8	6.4	3.8	2.3
105						6.4	3.6	2.1
110							3.6	
							3.6	

## Main boom 72.5 m

Radius (m)	Jib length in (m)							
	20	29	41	53	62	71	83	95
43	t	t	t	t	t	t	t	t
50	35.2							
55	32.3	27.2						
65		25.8	17.9					
70			16.7	11.7				
75			15.7	11.7	8.8			
80				11.7	8.8	6.4		
90				11.7	8.9	6.4	3.9	
95					8.8	6.4	3.8	2.3
100						6.4	3.7	2.2
105						6.4	3.6	2.1
110							3.6	
							3.6	

Capacities in metric tons with luffing jib (No. 1916.xx) 85.5 t counterweight, 36 t carbody counterweight and 120 t suspended counterweight. Above lift chart is for reference only. For actual lift duty and complete chart with all available configurations please refer to lift chart in operator's cab or manual.

# Lift chart – luffing jib (No. 1916.xx)

Main boom angle 45°

120 t suspended counterweight at 13 m radius

## Main boom 43.4 m

Radius (m)	Jib length in (m)						
	20	29	41	53	62	71	83
50.2	t	t	t	t	t	t	t
60	36.4						
70		29.2					
80			16.9				
85				12.0			
90				11.9	9.1		
95					9.1		
100						6.3	
105						6.3	
110							3.5
115							3.5

## Main boom 49.1 m

Radius (m)	Jib length in (m)						
	20	29	41	53	62	71	83
54.2	t	t	t	t	t	t	t
55	32.8						
65		32.3					
75			26.1				
85				16.6			
90					11.6		
95						8.8	
100						8.8	
105							6.1
110							6.1
115							3.3
120							3.3

## Main boom 55.1 m

Radius (m)	Jib length in (m)						
	20	29	41	53	62	71	83
58.5	t	t	t	t	t	t	t
60	29.4						
70		28.5					
80			15.1				
90				16.3			
95					11.1		
100						8.4	
105						8.4	
110							5.9
115							5.9
120							3.2
125							3.2

## Main boom 60.8 m

Radius (m)	Jib length in (m)						
	20	29	41	53	62	71	83
62.5	t	t	t	t	t	t	t
65	25.9						
70		24.7					
80			22.0				
85				16.0			
90					15.9		
95						10.6	
100						10.6	
105							8.0
110							8.0
115							5.6
120							5.6
125							3.0
130							3.0

## Main boom 66.8 m

Radius (m)	Jib length in (m)						
	20	29	41	53	62	71	83
66.8	t	t	t	t	t	t	t
75	22.5						
85		18.9					
90			15.4				
95				14.2			
100					10.0		
105						10.0	
110							7.6
115							7.6
120							5.3
125							5.3
130							2.8
135							2.8

## Main boom 72.5 m

Radius (m)	Jib length in (m)						
	20	29	41	53	62	71	83
70.8	t	t	t	t	t	t	t
80	19.6						
90		16.2					
100			12.9				
105				9.0			
110					9.0		
115						7.0	
120							5.0
125							5.0
130							2.6
135							2.6

Capacities in metric tons with luffing jib (No. 1916.xx) 85.5 t counterweight, 36 t carbody counterweight and 120 t suspended counterweight. Above lift chart is for reference only. For actual lift duty and complete chart with all available configurations please refer to lift chart in operator's cab or manual.



# Lift chart – luffing jib (No. 1916.xx)

Main boom angle 75°

120 t wheeled counterweight carriage at 15 m radius

## Main boom 43.4 m

Radius (m)	Jib length in (m)							
	20	29	41	53	62	71	83	95
22.9	t	t	t	t	t	t	t	t
26	52.9							
28	49.2							
32	46.7	38.3						
38	41.5	35.4	23.9					
42		30.7	21.8	16.6				
46		26.4	20.2	16.1	12.2			
50			18.5	15.6	11.9	8.6		
55			17.0	14.2	11.6	8.3	5.6	
60				14.1	11.2	8.1	5.4	3.3
65				13.5	10.8	7.9	5.2	3.2
70				12.1	10.4	7.7	4.9	3.0
75					9.9	7.5	4.7	2.8
80						7.3	4.5	2.5
85						7.0	4.2	2.3
90							4.1	2.1
95							3.9	

## Main boom 49.1 m

Radius (m)	Jib length in (m)							
	20	29	41	53	62	71	83	95
24.4	t	t	t	t	t	t	t	t
30	47.8							
34	43.5	36.1						
40	38.9	33.9	22.9					
42		28.7	21.0	15.9				
44		27.5	20.3	15.7				
46			19.6	15.5	11.7			
50			18.9	15.3	11.6	9.2		
55			17.3	13.9	11.3	8.1		
60			15.5	13.7	11.0	7.9	5.3	
65				13.5	10.8	7.7	5.1	3.1
70				12.4	10.6	7.5	4.9	2.9
75					10.2	7.4	4.6	2.7
80					9.4	7.2	4.4	2.5
85						7.0	4.2	2.3
90							4.0	2.1
95							3.7	

## Main boom 55.1 m

Radius (m)	Jib length in (m)							
	20	29	41	53	62	71	83	95
26	t	t	t	t	t	t	t	t
28	45.0							
30	43.7							
36	42.3	34.9						
40	37.0	32.4	22.0					
44		28.7	20.9	15.4				
48		26.7	19.7	14.3	11.2			
55			18.4	13.9	11.1	8.0		
60			16.1	13.4	10.7	7.8	5.2	
65				13.2	10.5	7.6	5.0	3.1
70				12.4	10.4	7.4	4.8	2.9
75					10.2	7.3	4.6	2.7
80					9.6	7.1	4.4	2.5
85						6.9	4.2	2.3
90						6.7	4.0	2.1
95							3.9	
95							3.7	

## Main boom 60.8 m

Radius (m)	Jib length in (m)							
	20	29	41	53	62	71	83	95
27.4	t	t	t	t	t	t	t	t
30	40.5							
32	39.7							
38	38.4	32.1						
42	15.1	29.5	20.7					
46		27.3	19.8	13.7				
50		24.5	18.8	13.5	10.5			
55			17.6	13.1	10.4	7.6		
60			16.2	12.8	10.3	7.5	4.9	
65				12.7	10.1	7.3	4.8	2.9
70				12.2	10.0	7.2	4.7	2.8
75				11.0	9.8	7.1	4.5	2.6
80					9.3	6.9	4.3	2.4
85						6.8	4.1	2.3
90						6.5	3.9	2.1
95							3.8	
95							3.7	

## Main boom 66.8 m

Radius (m)	Jib length in (m)							
	20	29	41	53	62	71	83	95
29	t	t	t	t	t	t	t	t
34	36.8							
38	34.8	29.1						
44	31.9	27.8	19.8					
48		24.7	18.8	13.0				
55		22.4	17.9	12.8	9.9			
60			16.1	12.3	9.8	7.2		
65			13.7	12.2	9.7	7.1	4.6	
70				11.9	9.5	7.0	4.5	2.7
75				11.4	9.4	6.8	4.3	2.6
80					9.1	6.7	4.2	2.4
85					8.5	6.5	4.0	2.2
95						6.3	3.8	2.0
100							3.6	
100							3.4	

## Main boom 72.5 m

Radius (m)	Jib length in (m)							
	20	29	41	53	62	71	83	95
30.5	t	t	t	t	t	t	t	t
36	31.9							
40	28.8	25.2						
46	26.2	23.4	18.2					
48		21.0	17.4	12.0				
50		20.2	17.0	11.9				
55			16.5	11.8	9.1			
60			15.3	11.5	9.0	6.8		
65			13.5	11.2	9.0	6.7	4.4	
70				10.8	8.8	6.6	4.3	2.6
75				10.2	8.7	6.5	4.1	2.4
80					8.4	6.4	4.0	2.3
85					7.9	6.2	3.8	2.1
90						5.7	3.5	
100							3.3	

Capacities in metric tons with luffing jib (No. 1916.xx) 85.5 t counterweight, 36 t carbody counterweight and 120 t wheeled counterweight carriage. Above lift chart is for reference only. For actual lift duty and complete chart with all available configurations please refer to lift chart in operator's cab or manual.

# Lift chart - luffing jib (No. 1916.xx)

Main boom angle 65°

120 t wheeled counterweight carriage at 15 m radius

## Main boom 43.4 m

Radius (m)	Jib length in (m)							
	20	29	41	53	62	71	83	95
33.1	t	t	t	t	t	t	t	t
38	47.3							
40	44.2							
46	42.6	34.8						
48		31.1	21.0					
55		28.9	20.6					
60			17.9	13.9				
65			16.3	13.6	10.8			
70				13.3	10.6	7.5		
75				12.4	10.5	7.4	4.7	
80					10.2	7.3	4.5	
85					9.8	7.2	4.4	2.4
90						7.2	4.2	2.3
95						7.0	4.1	2.1
100							4.0	
							3.9	

## Main boom 49.1 m

Radius (m)	Jib length in (m)							
	20	29	41	53	62	71	83	95
35.5	t	t	t	t	t	t	t	t
38	44.4							
42	43.7							
48	41.4	33.8						
50		30.9	20.3					
55		28.9	20.0					
60			18.6	13.5				
65			17.0	13.3	10.3			
70				13.1	10.3	8.2		
75				12.7	10.2	7.2		
80				11.7	10.1	7.2	4.4	
85					10.0	7.1	4.3	2.3
90						7.1	4.2	2.2
95						7.0	4.0	2.1
100							3.9	
							3.9	

## Main boom 55.1 m

Radius (m)	Jib length in (m)							
	20	29	41	53	62	71	83	95
38	t	t	t	t	t	t	t	t
44	41.4							
50	39.9	32.3						
55		30.5						
60			19.0					
65			17.5	12.9				
70			16.1	12.8	9.9			
75				12.7	9.9	7.0		
85				12.5	9.9	7.0	4.3	
90					9.8	6.9	4.1	2.2
95						6.9	4.0	2.1
105						6.9	3.9	
							3.8	

## Main boom 60.8 m

Radius (m)	Jib length in (m)							
	20	29	41	53	62	71	83	95
40.4	t	t	t	t	t	t	t	t
46	38.5							
48	37.4	29.4						
55	15.1	29.3						
60		27.5	18.6					
65			17.8	12.3				
70			16.6	12.3	9.4			
80				12.2	9.3	6.7		
85				11.5	9.3	6.7	4.1	
90					9.3	6.7	4.0	2.1
95						6.7	3.9	2.0
105						6.7	3.8	
							3.7	

## Main boom 66.8 m

Radius (m)	Jib length in (m)							
	20	29	41	53	62	71	83	95
43	t	t	t	t	t	t	t	t
50	35.2							
55	32.3	27.2						
65		25.8	17.9					
70			16.7	11.7				
75			15.7	11.7	8.8			
80				11.7	8.8	6.4		
90				11.7	8.9	6.4	3.9	
100					8.8	6.4	3.8	2.3
105						6.4	3.6	2.1
110							3.6	
							3.6	

## Main boom 72.5 m

Radius (m)	Jib length in (m)							
	20	29	41	53	62	71	83	95
43	t	t	t	t	t	t	t	t
50	35.2							
55	32.3	27.2						
65		25.8	17.9					
70			16.7	11.7				
75			15.7	11.7	8.8			
80				11.7	8.8	6.4		
90				11.7	8.9	6.4	3.9	
95					8.8	6.4	3.8	2.3
100						6.4	3.7	2.2
110						6.4	3.6	2.1
							3.6	

Capacities in metric tons with luffing jib (No. 1916.xx) 85.5 t counterweight, 36 t carbody counterweight and 120 t wheeled counterweight carriage. Above lift chart is for reference only. For actual lift duty and complete chart with all available configurations please refer to lift chart in operator's cab or manual.



# Lift chart – luffing jib (No. 1916.xx)

Main boom angle 45°

120 t wheeled counterweight carriage at 15 m radius

## Main boom 43.4 m

Radius (m)	Jib length in (m)						
	20	29	41	53	62	71	83
50.2	t	t	t	t	t	t	t
60	41.0						
70		30.4					
80			16.9				
85				12.0			
90				11.9	9.1		
95					9.1		
100						6.3	
105						6.3	
110							3.5
115							3.5

## Main boom 49.1 m

Radius (m)	Jib length in (m)						
	20	29	41	53	62	71	83
54.2	t	t	t	t	t	t	t
55	37.2						
65		36.6					
75			28.7				
85				16.6			
90					11.6		
95						8.8	
100						8.8	
105							6.1
110							6.1
115							3.3
120							3.3

## Main boom 55.1 m

Radius (m)	Jib length in (m)						
	20	29	41	53	62	71	83
58.5	t	t	t	t	t	t	t
60	32.6						
70		31.7					
80			15.1				
90				16.3			
95					11.1		
100						8.4	
105						8.4	
110							5.9
115							5.9
120							3.2
125							3.2

## Main boom 60.8 m

Radius (m)	Jib length in (m)						
	20	29	41	53	62	71	83
62.5	t	t	t	t	t	t	t
65	29.1						
70		27.7					
80			24.9				
85				16.0			
90					15.9		
95						10.6	
100						10.6	
105							8.0
110							8.0
115							5.6
120							5.6
125							3.0
130							3.0

## Main boom 66.8 m

Radius (m)	Jib length in (m)						
	20	29	41	53	62	71	83
66.8	t	t	t	t	t	t	t
75	25.4						
85		21.6					
90			15.4				
95				14.2			
100					10.0		
105					10.0		
110						7.6	
115						7.6	
120							5.3
125							5.3
130							2.8
135							2.8

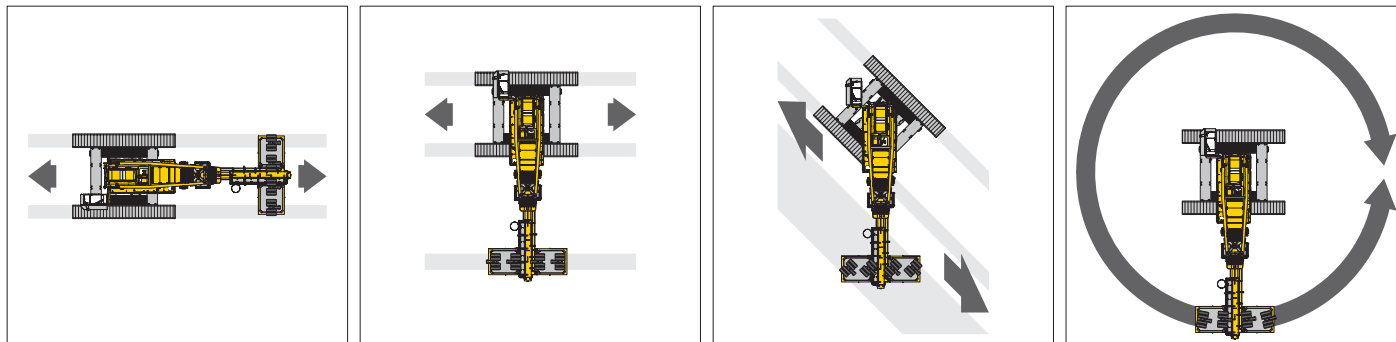
## Main boom 72.5 m

Radius (m)	Jib length in (m)						
	20	29	41	53	62	71	83
70.8	t	t	t	t	t	t	t
80	22.4						
90		18.6					
100			12.9				
105				9.0			
110				9.0			
115					7.0		
120						5.0	
125						5.0	
130							2.6
135							2.6

Capacities in metric tons with luffing jib (No. 1916.xx) 85.5 t counterweight, 36 t carbody counterweight and 120 t wheeled counterweight carriage. Above lift chart is for reference only. For actual lift duty and complete chart with all available configurations please refer to lift chart in operator's cab or manual.

# Drive options

## Wheeled counterweight carriage



### Carriage with steerable axles

### Carriage with blocked steering axle

